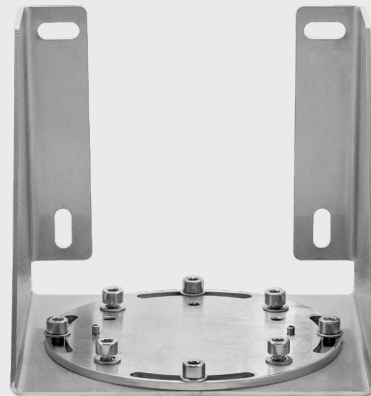


SMC Wall Mounting Bracket

Universal for the SMC-00 and SMC-10 MRU ranges



The SMC Wall Mounting Bracket is an option created to provide a secure mounting location on a vertical surface for the SMC MRUs. It is designed to simplify wall mounting installations while also allowing for easy alignment of the motion reference unit.

Design

The bracket is designed to simplify wall installations and is produced to prevent unwanted resonance vibrations using 2.5 mm thick stainless steel sheets.

Function

The base plate adapter which is included with the wall mounting bracket allows for up to 45 degrees of rotational adjustment for the MRU alignment. With the MRU on the base plate adapter fixation pins the sensor can be removed for service or recalibration and after placed back in exactly the same position without a new realignment.

The base plate adapter can be purchased as a separate item from the wall mounting bracket.

Specification

MRU ranges	SMC-10 and SMC-00
Delivery	Mounting base plate adapter and screws for MRU
Material	Stainless Steel 316
Dimensions	W206 x H185 x D183 mm
Weight	~ 3.3 kg

